



SINCE 1976

SHOWFOU BLOWERS

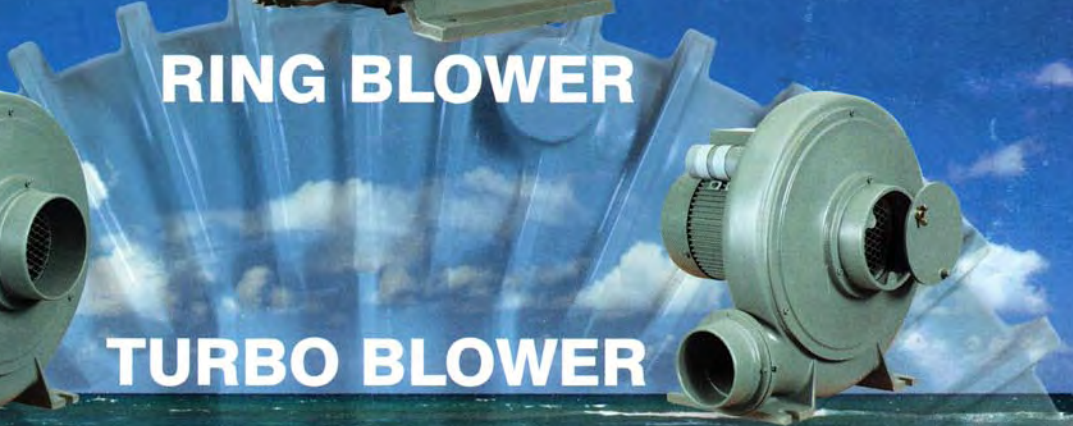
SHOWFOU



ISO-9001/CNS 12681



RING BLOWER



TURBO BLOWER



**OIL MIST
COLLECTOR**



RING BLOWER BS type



GENERAL	P2
ADVANTAGES OF OUR NEW DESIGN IMPELLER	P2
FEATURES / SPECIFICATION	P3
DIMENSIONS / PERFORMANCE CURVES	P4
EXPLODED DIAGRAM APPLICATIONS	P7

TURBO BLOWER BP . BL type



FEATURES / SPECIFICATION	P9
PERFORMANCE CURVES / APPLICATIONS	P10
DIMENSIONS	P11

OIL MIST COLLECTOR BM . BV type



FEATURES / SPECIFICATION	P12
HOW THE OIL MIST IS COLLECTED	P13
STANDARD ACCESSORIES	P13
DIMENSIONS	P14
TYPICAL DUCTED INSTALLATIONS	P15
TYPICAL DIRECT MOUNT INSTALLATIONS	P17

BS TYPE RING BLOWER

VERSATILE CAPABILITIES FOR VACUUM OR PRESSURE OPERATION

GENERAL:

SHOWFOU RING BLOWERS, known also as REGENERATIVE BLOWER, are directly driven by TEFC IP54 Grade F insulation electric motors of Showfou's own make.

As standard equipment, silencers are mounted on the discharge and suction side, thereby reducing noise level considerably. All blower and motor parts are cast aluminum and therefore highly resistant to corrosion. The ribs on the blower housing provide for good heat dissipation, further assisted by the air flow of the motor fan.

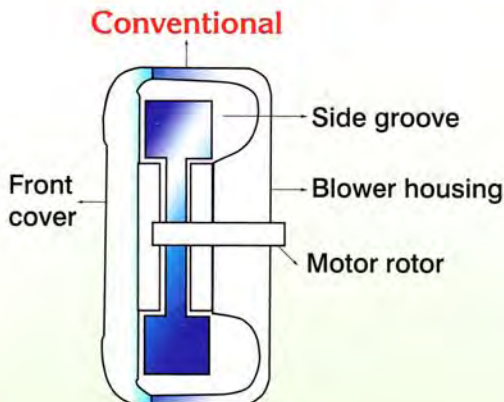
SHOWFOU RING BLOWERS are designed for the conveying of air as well as for generating pressure or vacuum. The use of the units for aggressive and toxic media, air of high humidity and medium temperature exceeding 40°C is subject to a detailed clarification. The conveying explosive gases are prohibited. If the medium to be conveyed contains solid particles or other pollutions, they are to be removed before entering the blower by installing a filter, or similar device on the suction side.

An increase of the volumetric flow or the pressure may be achieved by connecting two blowers either in series or in parallel.

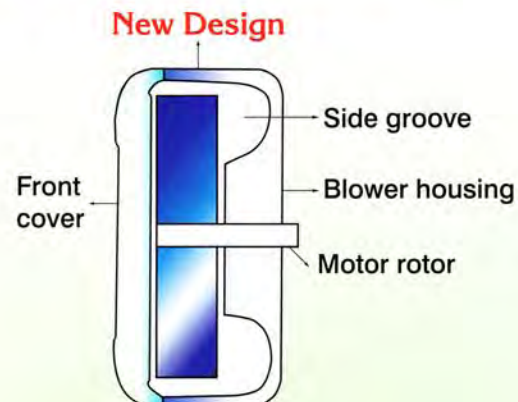
If connected in series, the pressures are added whereas the volumetric flow remains the same. If connected in parallel, the volumetric flow rates are added whereas the pressure remains the same.



ADVANTAGES OF OUR NEW DESIGN IMPELLER



(Fig.1) Impeller easily clogged by foreign objects



(Fig. 2) Durable and rugged construction, free from maintenance

BS TYPE RING BLOWER



FEATURES

- Aluminum blower housing, impeller and cover
- Continuous duty, Non-pulsating operation.
- Low Noise and Vibration, Inlet and outlet have internal silencer
- Can be mounted in any plane
- Oil Free design eliminates contamination of downstream components
- TEFC enclosure eliminates atmospheric contamination of motor windings and bearings



BS Type SPECIFICATION

Hz	Type	Motor				Bore		Max. Continuous Duty Point				Maximum Discharge		Noise dB	L x W x H mm	Weight kg
		HP	KW	PH	V	inch	mm	Discharge		Suction		mmAq	m/min			
								mmAq	m/min	mmAq	m/min					
50	BS-0212	1/4	0.2	1	220	1"	25	450	0.14	450	0.09	500	0.76	52	220x200x215	7
	BS-0512	1/2	0.37	1	220	1-1/4"	32	1000	0.13	800	0.02	1100	1.4	61	253x250x250	12
	BS-0532			3	220~440											
	BS-112	1	0.75	1	220	1-1/2"	40	1400	0.15	1200	0.1	1500	2.3	68	290x290x310	17
	BS-132			3	220~440											
	BS-212	2	1.5	1	220	2"	50	2250	0.14	1750	0.38	2250	3.5	75	340x340x350	27
	BS-232			3	220~440											
	BS-332	3	2.2	3	220~440	2"	50	2750	0.25	2250	0.37	3000	5.5	75	345x390x425	35
	BS-532	5	3.7	3	220~440	2"	50	3000	0.13	2250	0.37	3000	5.5	75	385x390x425	36
	BS-732	7-1/2	5.5	3	220~440	2-1/2"	65	1500	5.64	1750	3.72	3450	9	76	490x470x505	76
	BS-1032	10	7.5	3	220~440	2-1/2"	65	2750	3.51	2500	1.66	3450	9	76	490x470x505	76
	BS-1532	15	11	3	220~440	4"	100	1800	19.14	2200	6.38	3600	14	82	730x550x575	123
60	BS-0212	1/4	0.2	1	220	1"	25	650	0.07	600	0.06	700	0.9	55	220x200x215	7
	BS-0512	1/2	0.37	1	220	1-1/4"	32	1200	0.14	1100	0.02	1400	1.5	63	253x250x250	12
	BS-0532			3	220~440											
	BS-112	1	0.75	1	220	1-1/2"	40	1600	0.43	1600	0.12	2050	2.7	69	290x290x310	17
	BS-132			3	220~440											
	BS-212	2	1.5	1	220	2"	50	2000	0.64	1750	1.01	3000	4	78	340x340x350	27
	BS-232			3	220~440											
	BS-332	3	2.2	3	220~440	2"	50	2250	2.4	2000	2.09	4000	6	80	345x390x425	35
	BS-532	5	3.7	3	220~440	2"	50	2500	2.36	2250	1.54	4000	6	80	385x390x425	36
	BS-732	7-1/2	5.5	3	220~440	2-1/2"	65	2250	6.67	2550	4.74	4750	10.5	86	490x470x505	76
	BS-1032	10	7.5	3	220~440	2-1/2"	65	3000	4.89	3250	17.33	4750	10.5	86	490x470x505	76
	BS-1532	15	11	3	220~440	4"	100	2200	9.65	2600	8.63	4800	17	87	730x550x575	123

*Motor-TEFC IP54 Grade F insulation

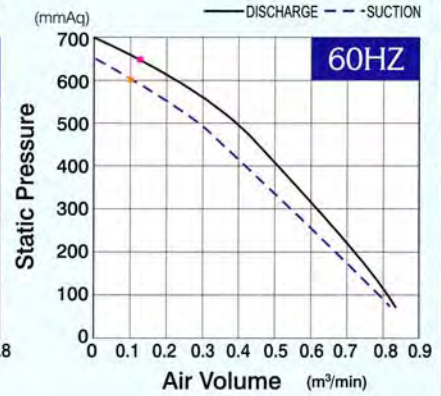
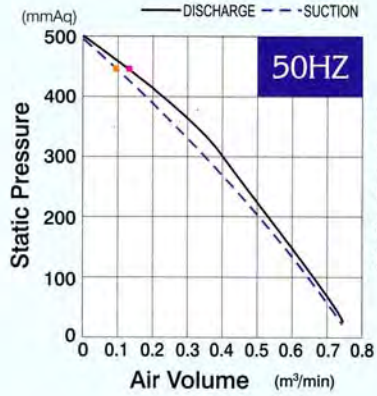
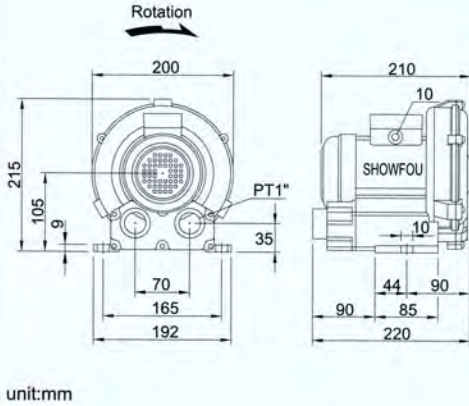
*Permitted maximum ambient temperature is 40°C



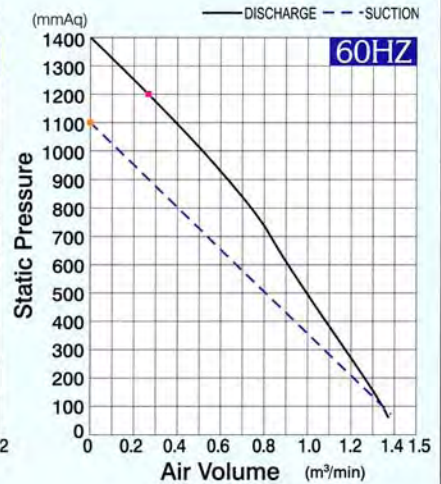
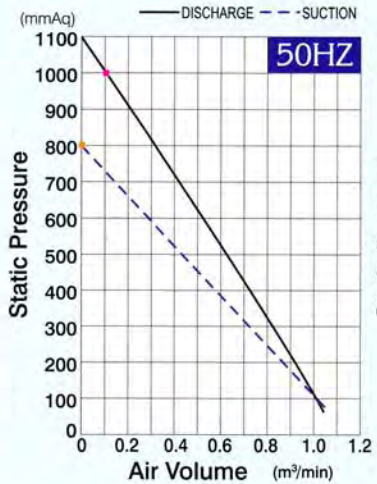
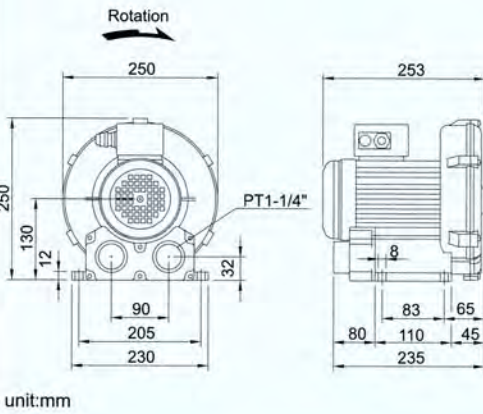
DIMENSIONS / PERFORMANCE CURVES

BS

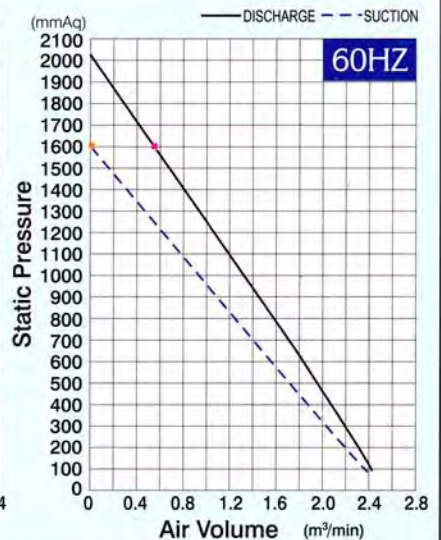
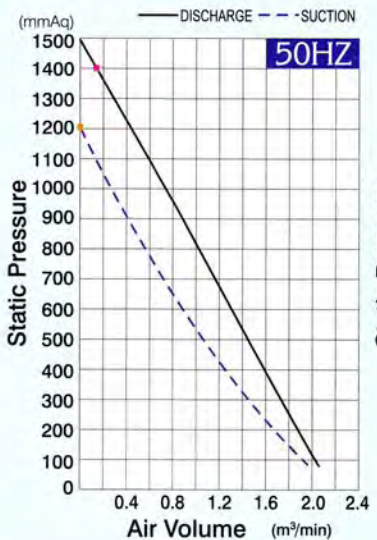
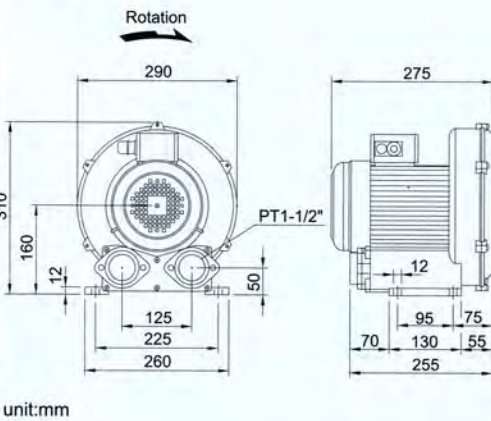
BS-0212



BS-0512 0532



BS-112 132

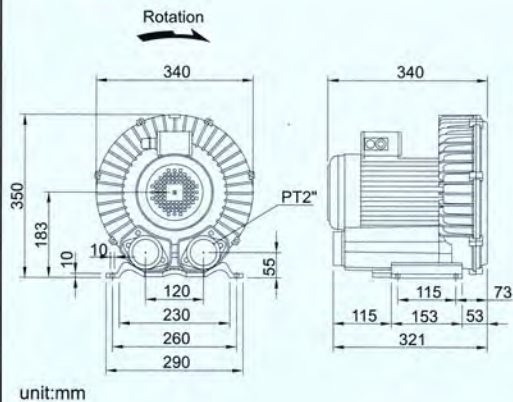




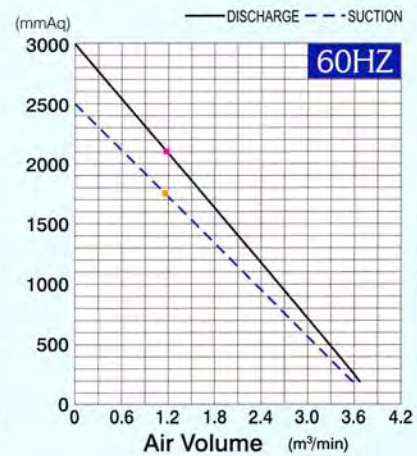
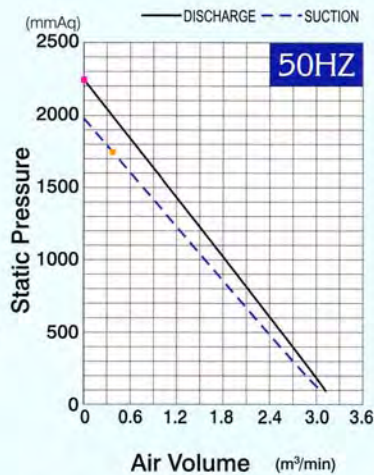
DIMENSIONS / PERFORMANCE CURVES

BS

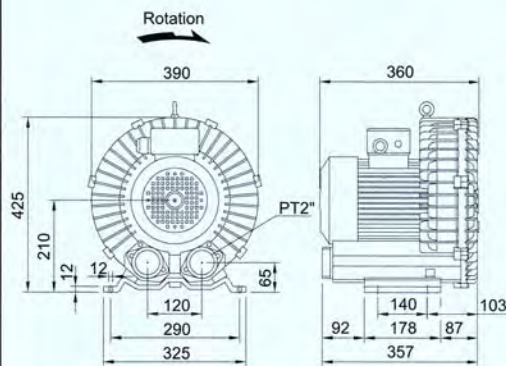
**BS-212
232**



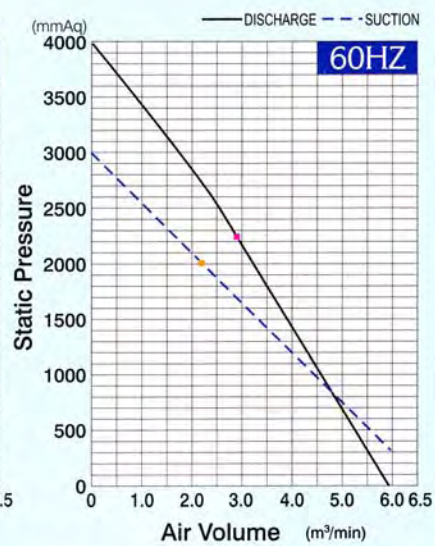
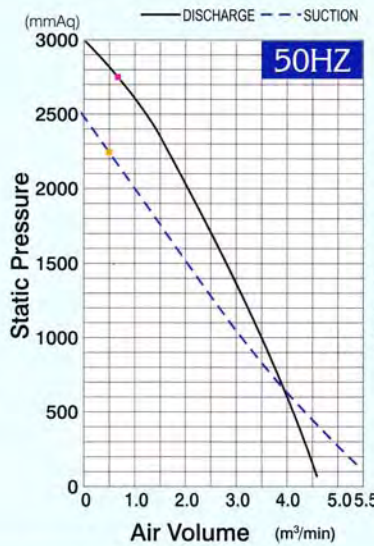
unit:mm



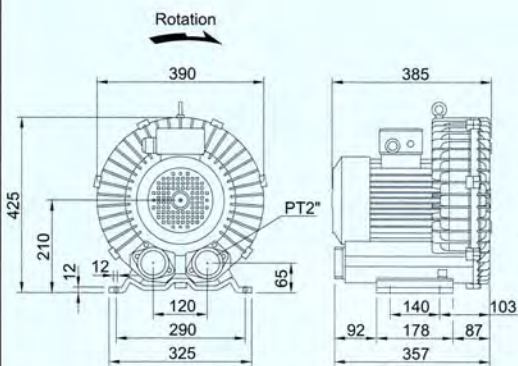
BS-332



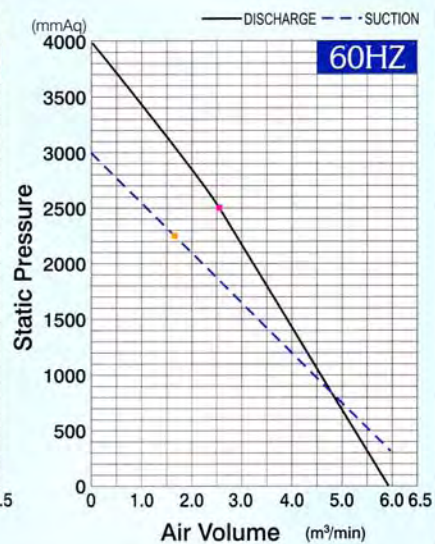
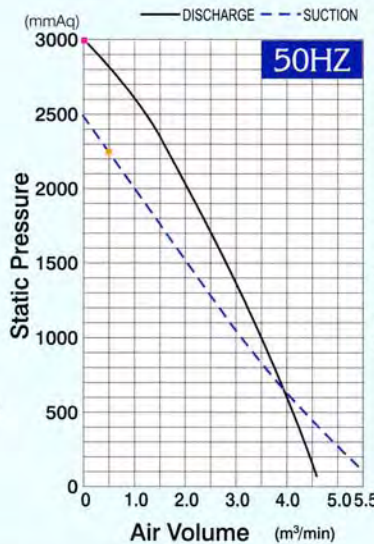
unit:mm



BS-532



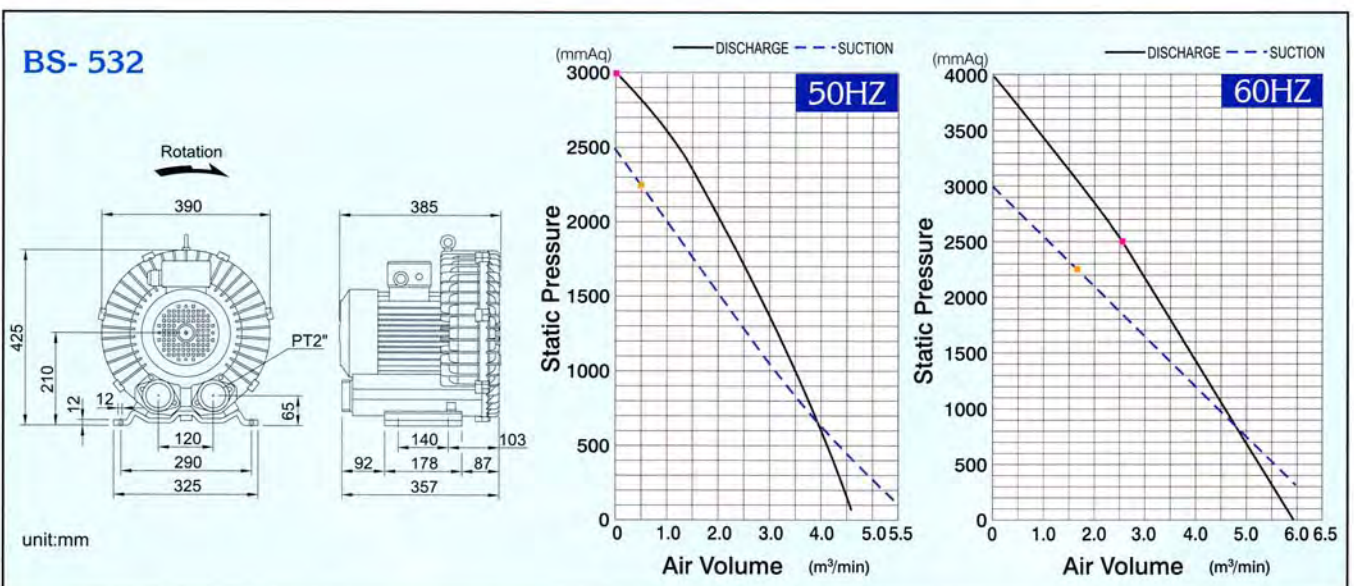
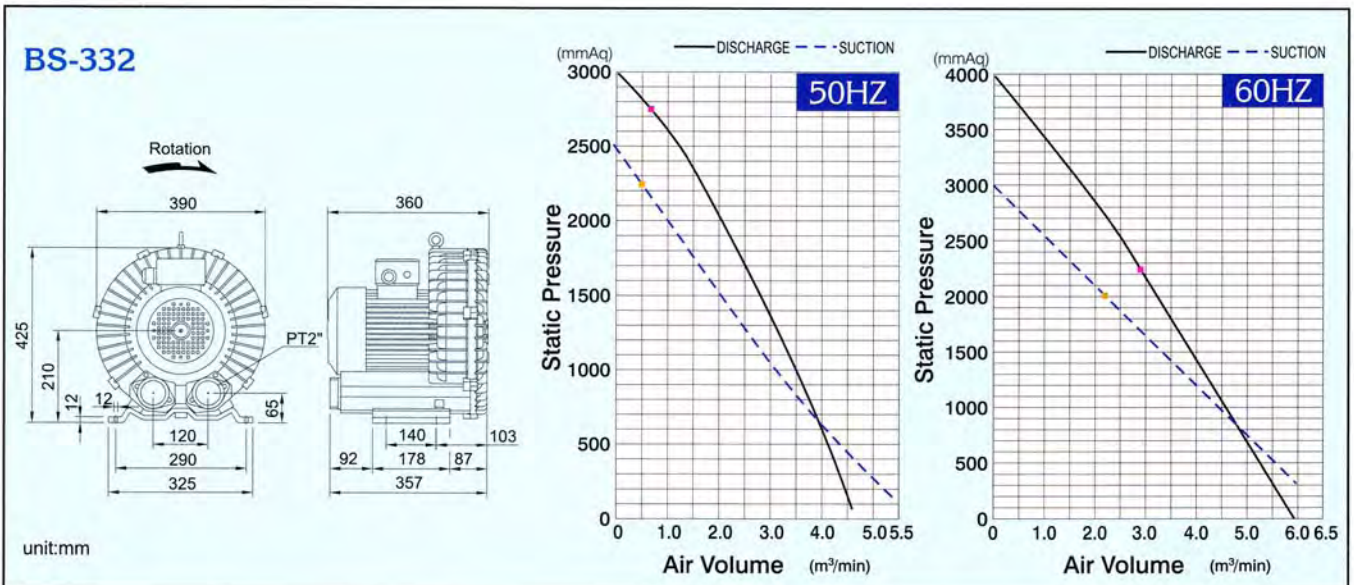
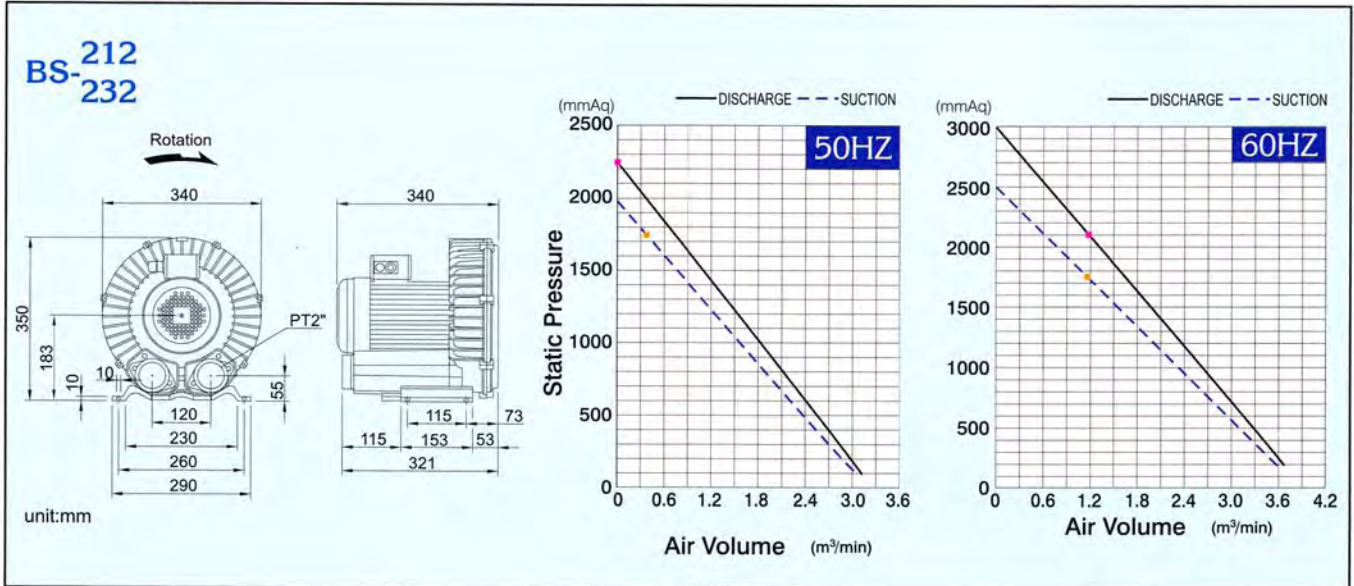
unit:mm





DIMENSIONS / PERFORMANCE CURVES

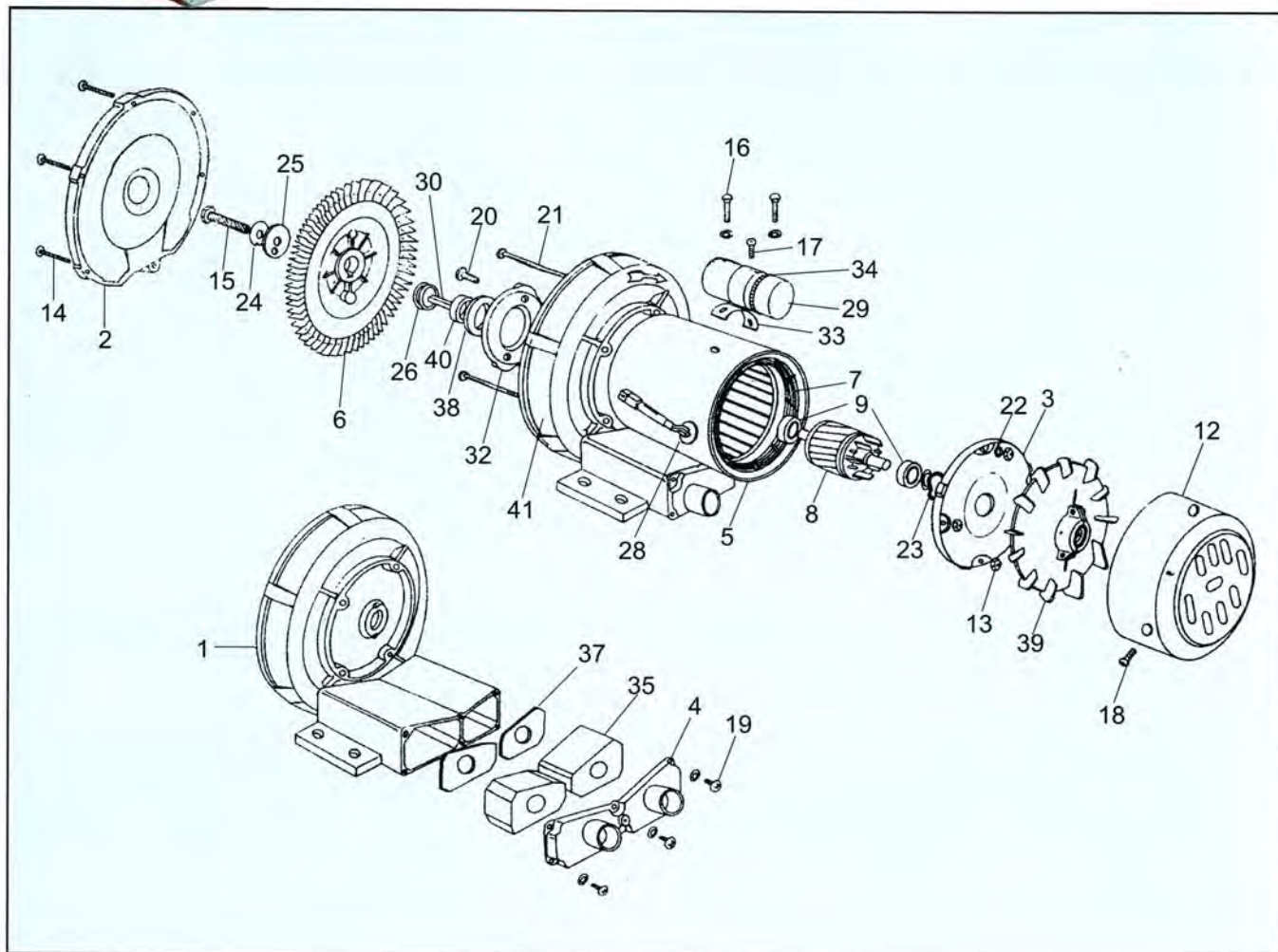
BS





EXPLODED DIAGRAM

BS

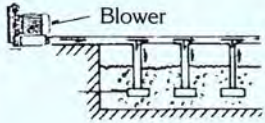
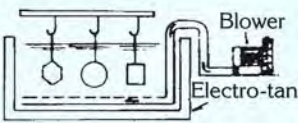
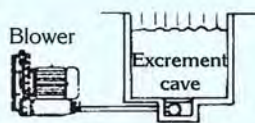
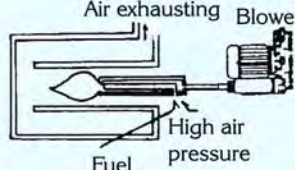
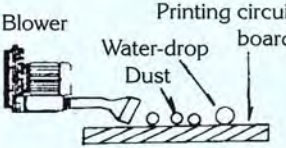
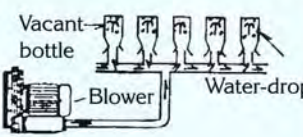
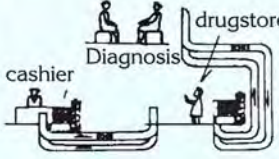
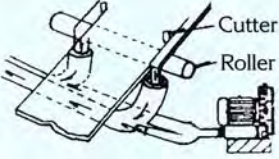


■ BS type PARTS LIST

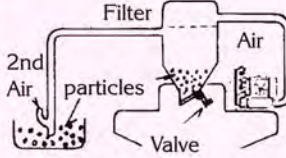
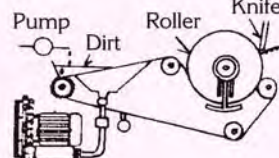
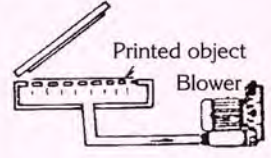
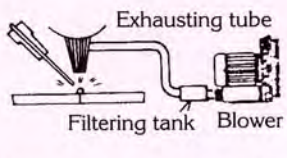
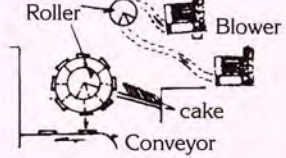
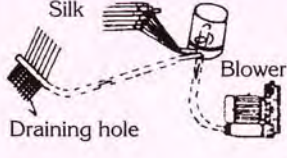
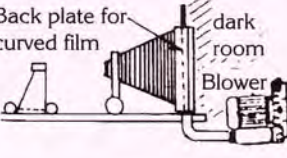
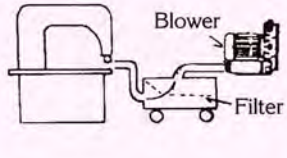
REF NO.	NAME OF PARTS	QTY.	REMARK	REF NO.	NAME OF PARTS	QTY.	REMARK
1	BASE	1		21	SCREW FOR NO. 5	1	
2	FRONT COVER	1		22	WASHER FOR NO. 21	1	
3	FRAME REAR COVER	1		23	WAVE WASHER	1	
4	FLANGE	1		24	RETAINING WASHER	1	
5	FRAME / STATOR	1		25	WASHER FOR NO. 6	1	
6	IMPELLER	1		26	GAP ADJUSTING SLICE	1	
8	ROTOR	1		28	WIRE BUSHING	1	
9	BEARING	2		29	CAPACITOR CAP	2	
10	CAPACITOR	1	FOR SINGLE PHASE	30	KEY	1	
12	FAN COVER	1		32	BEARING COVER	1	
13	NUT FOR NO. 21	4		33	BRACKET	4	
14	SCREW FOR NO. 2	6		34	BAND	6	
15	SCREW FOR NO. 6	1		35	SPONGE	1	
16	SCREW FOR NO. 33	2		37	SPACER	2	
17	SCREW FOR NO. 10	1		38	SHAFT SEAL	1	
18	SCREW FOR NO. 12	3		39	COOLING	3	
19	SCREW FOR NO. 4	6		40	SLEEVE	6	
20	SCREW FOR NO. 32	2		41	HOUSING	2	



■ BS type RING BLOWERS FOR PRESSURE OPERATION

<p>SUPPLY OF OXYGEN IN RAISING POND</p>	<p>STIRRING OF ELECTRO-LIQUID</p>	<p>FERMENTATION TREATMENT OF DOMESTIC ANIMALS' EXCREMENT</p>	<p>HEAVY-DUTY OIL BURNING</p>
 <p>To increase raising density and raising existence rate of fishes and shrimps. The use of blower for increasing solved oxygen amount is necessary.</p>	 <p>Stir electro-tank with air to make electro-particle flow and get rid of attached bubble. By thus, electro-plating will be quicker and efficiency even.</p>	 <p>Blow into excrement cave high pressure air to increase the contacting area of excrement and air It's also suitable for being used in treating polluted water.</p>	 <p>High air pressure (4000mmAq) and enough amount of wind can reduce you the reliability on air compressor.</p>
<p>ANTI-DUST DEVICE</p>	<p>BOTTLE WASHER</p>	<p>TEANSPORTATION OF DOCUMENTS</p>	<p>COLLECTION OF PAPER EDGE</p>
 <p>Electronic PC can use blower to get rid of mini dust and water drop.</p>	 <p>Vacant bottle can be blown dried after washing. Suitable for to be used in food industry.</p>	 <p>Air is the driven force, and will make prompt and assuring delivery of documents.</p>	 <p>The tailored edge of plastic, cloth and paper can be automatically collected.</p>

■ BS type RING BLOWERS FOR VACUUM OPERATION

<p>TRANSPORTATION OF POEDER PARTICLES</p>	<p>VACUUM DRAINAGE</p>	<p>NET PLATE PRINTING MACHINE</p>	<p>WELDING POLLUTED AIR COLLECTION</p>
 <p>Transportation of particles such as plastic raw material, etc. can be done by air pressure (blowing) or vacuum absorption.</p>	 <p>Drainage of paste, dirt and cloth etc.</p>	 <p>By use of absorption pressure for fixing to make printing work smooth.</p>	 <p>Smoke and dust produced in welding can be driven to another place by way of vacuum type for protecting operators' health.</p>
<p>AUTOMATIC ARRANGER FOR CAKES</p>	<p>WEAVING MACHINE</p>	<p>PHOTO PLATING</p>	<p>COLLECTION OF INDUSTRY DUST</p>
 <p>Cakes won't be hurt. Every piece is evenly arranged by absorption.</p>	 <p>Moisture and thread head is absorbed to raise product's quality and efficiency.</p>	 <p>By way of vacuum absorption to keep film even for photo-plating industry.</p>	 <p>Industry dust remaining in the machine can be cleaned with the method of above drawing shows.</p>

Designed for low pressure and high flow application

**BP Type —
Turbo Blower**



**BL Type —
Turbo Blower with Flow Regulating Disc**



FEATURES

- Light weight - Aluminum alloy housing
- Low Noise and Vibration
- Designed for Easy Installation
- Versatile capabilities for vacuum or pressure operation
- Low Maintenance Durability
- TEFC enclosure eliminates atmospheric contamination of motor windings and bearings

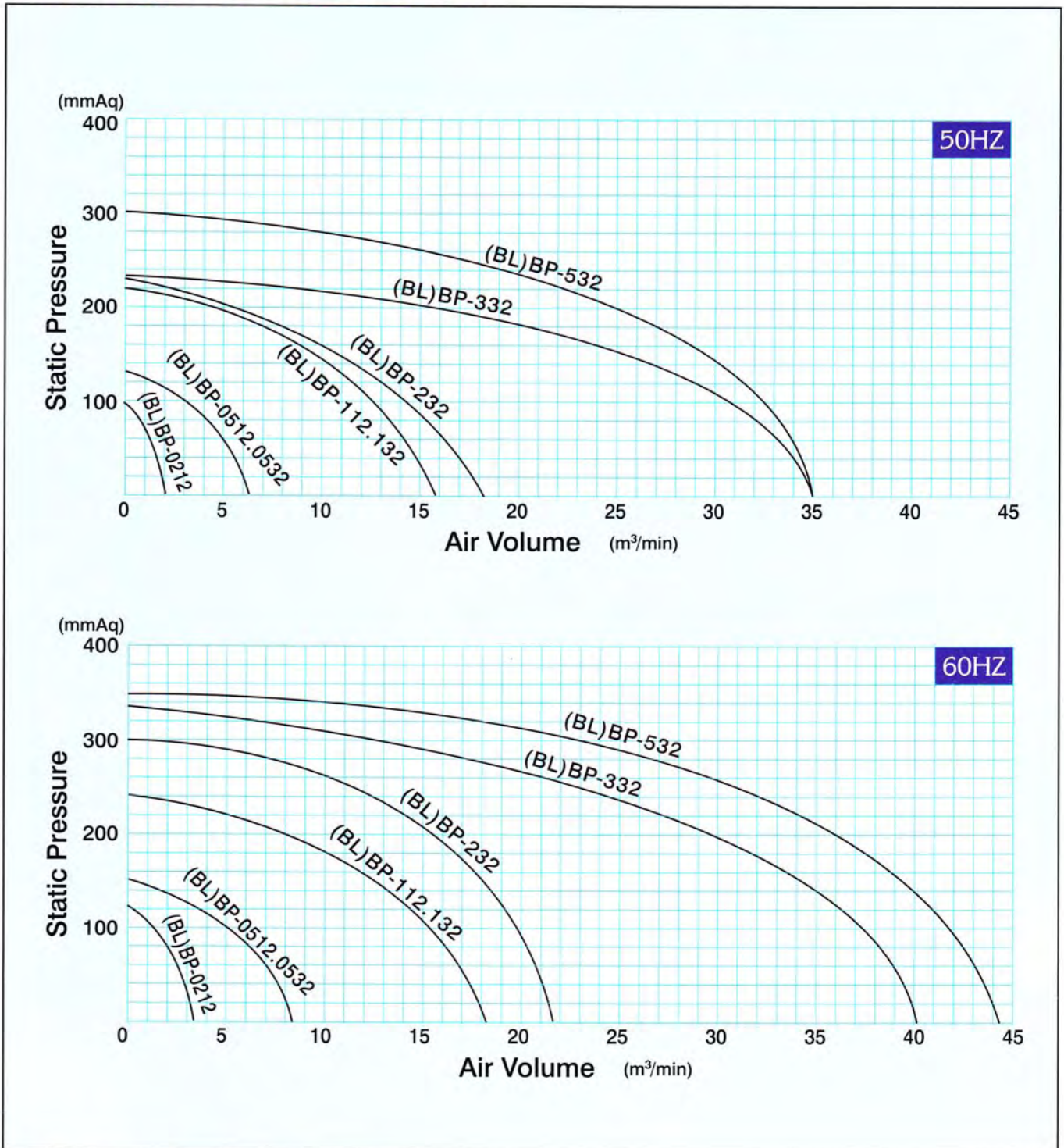
BP · BL type SPECIFICATION

Hz	Type		Motor				Bore		Maxi. Discharge	Maxi. Capacity	Noise	L x W x H	Weight	
							Discharge	Suction						
	BP	BL	HP	KW	PH	V	inch	mm	inch	mmAq	m ³ /min	dB	mm	kg
50	BP-0212	BL-0212	1/4	0.2	1	220~240	2-1/2"	65	2-1/2"	100	2.1	50	250x345x305	11
	BP-0512	BL-0512	1/2	0.37	1	220~240	3"	80	3"	130	6.3	58	295x350x340	17
	BP-0532	BL-0532												
	BP-112	BL-112	1	0.75	3	220~440	4"	100	4"	220	15.7	64	365x425x410	30
	BP-132	BL-132												
	BP-232	BL-232	2	1.5	3	220~440	4"	100	4"	230	18.3	72	370x490x480	27
	BP-332	BL-332	3	2.2	3	220~440	5"	125	5"	230	35.0	76	445x550x540	35
	BP-532	BL-532	5	3.7	3	220~440	6"	150	6"	300	35.0	80	510x660x620	47.5
60	BP-0212	BL-0212	1/4	0.2	1	220~240	2-1/2"	65	2-1/2"	120	3.4	62	250x345x305	11
	BP-0512	BL-0512	1/2	0.37	1	220~240	3"	80	3"	150	8.5	70	295x350x340	17
	BP-0532	BL-0532												
	BP-112	BL-112	1	0.75	3	220~440	4"	100	4"	240	18.3	80	365x425x410	30
	BP-132	BL-132												
	BP-232	BL-232	2	1.5	3	220~440	4"	100	4"	300	21.5	90	370x490x480	27
	BP-332	BL-332	3	2.2	3	220~440	5"	125	5"	335	40.0	95	445x550x540	35
	BP-532	BL-532	5	3.7	3	220~440	6"	150	6"	350	44.3	100	510x660x620	47.5

BP Type Turbo Blower

BL Type Turbo Blower with " Flow Regulating Disc"

■ BP · BL Type PERFORMANCE CURVES



■ BP · BL Type APPLICATIONS

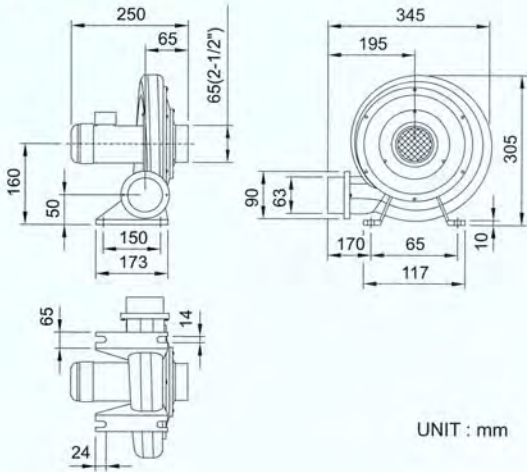
- Printing Machines
- Dust Collectors
- Textile Machines
- Woodworking Machines
- Grain Elevators
- Incinerators
- Dryer Machines
- Burning Machines
- Plastic Extruders



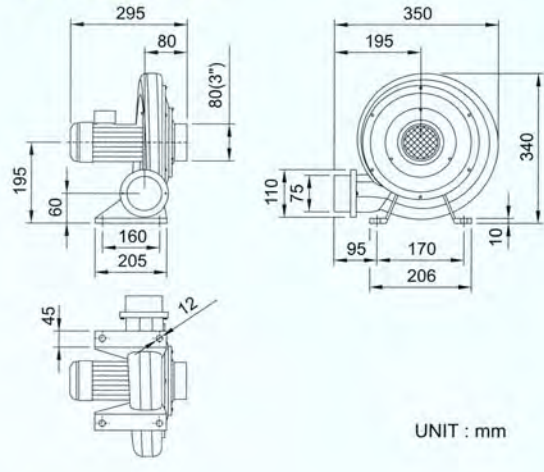
DIMENSIONS

BP / BL

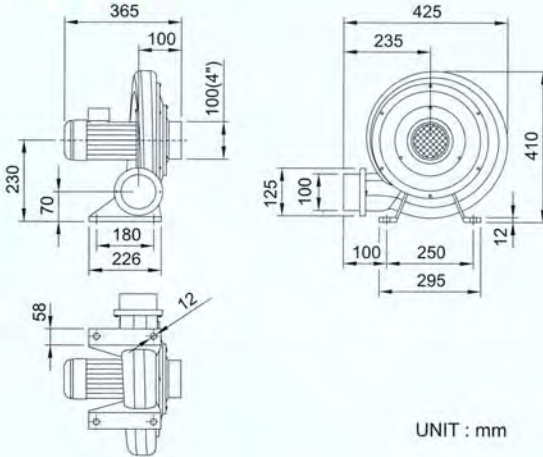
BP-0212
BL-0212



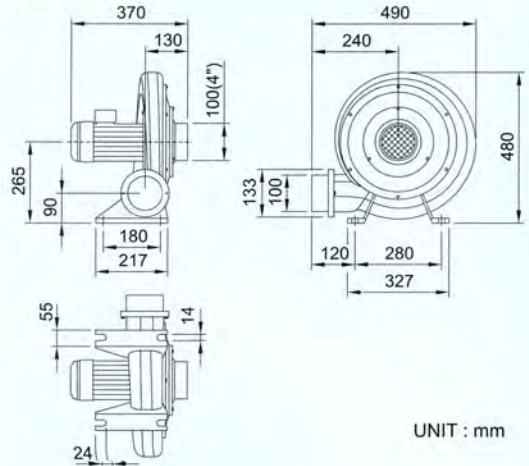
BP-0512/0532
BL-0512/0532



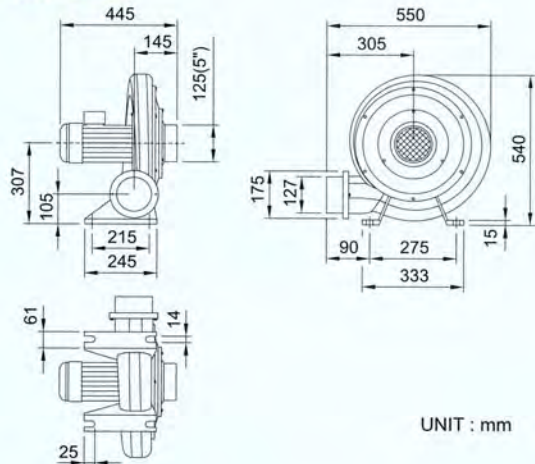
BP-112/132
BL-112/132



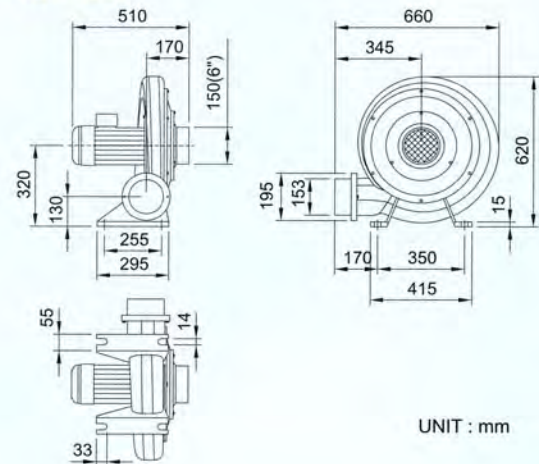
BP-232
BL-232



BP-332
BL-332



BP-532
BL-532



Designed specifically for the filtration of coolants, oil mist from Today's modern machine tools.

BM
Ducted Style Oil Mist Collector



BV
Direct Mount Style Oil Mist Collector



FEATURES

- Clean the Air
- Machine Fluid Savings
- Most of oil is separated, not filtered.
- Reduced Mist Exposure
- No expensive filters to replace
- Reduces Housekeeping Costs
- Easy installation & maintenance
- Compact and light weight.

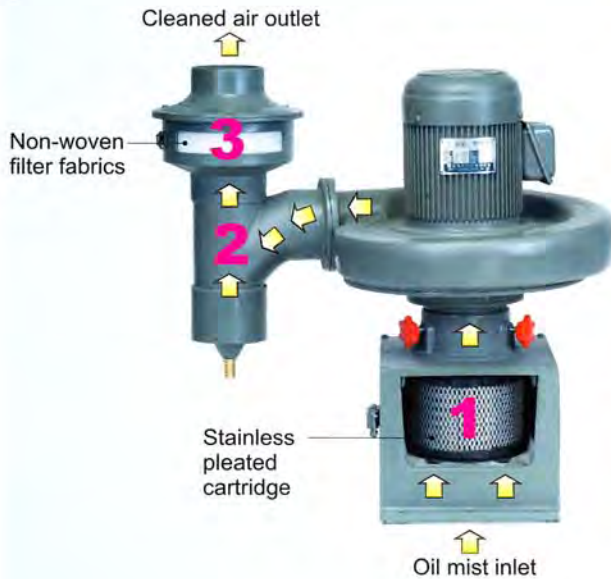
BM • BV type SPECIFICATION

Hz	Type		Motor				Bore		Maxi. Discharge	Maxi. Capacity	Noise	L x W x H	Weight
	BM	BV	HP	KW	PH	V	inch	mm	mmAq	m/min	dB	mm	kg
50	BM-0532	BV-0532	1/2	0.37	3	220~440	4"	100	130	6.3	50	570x380x580	28
	BM-132	BV-132	1	0.75	3	220~440	4"	100	210	15.7	62	640x435x605	38
	BM-232	BV-232	2	1.5	3	220~440	4"	100	230	18.3	72	720x520x615	43
60	BM-0532	BV-0532	1/2	0.37	3	220~440	4"	100	150	8.5	56	570x380x580	28
	BM-132	BV-132	1	0.75	3	220~440	4"	100	240	18.3	68	640x435x605	38
	BM-232	BV-232	2	1.5	3	220~440	4"	100	300	21.5	80	720x520x615	43

APPLICATION

CNC Lathe, NC Processing, Spray coating machine, Tapping machine, Machine Center, Homing Machine

HOW THE OIL MIST IS COLLECTED



1. Pre-separation

The oil mist is sucked away from the tooling area of the machining tool through the 4 inch intake. The primary "stainless pleated cartridge" separates most of the oil mist and provides exceptional gravity drainage. The bulk of the oil is quickly removed out of the air flow and to be drained back to the machine tool through the 4 inch intake (BV type) or the 1/2 inch oil pipe drain (BM type).

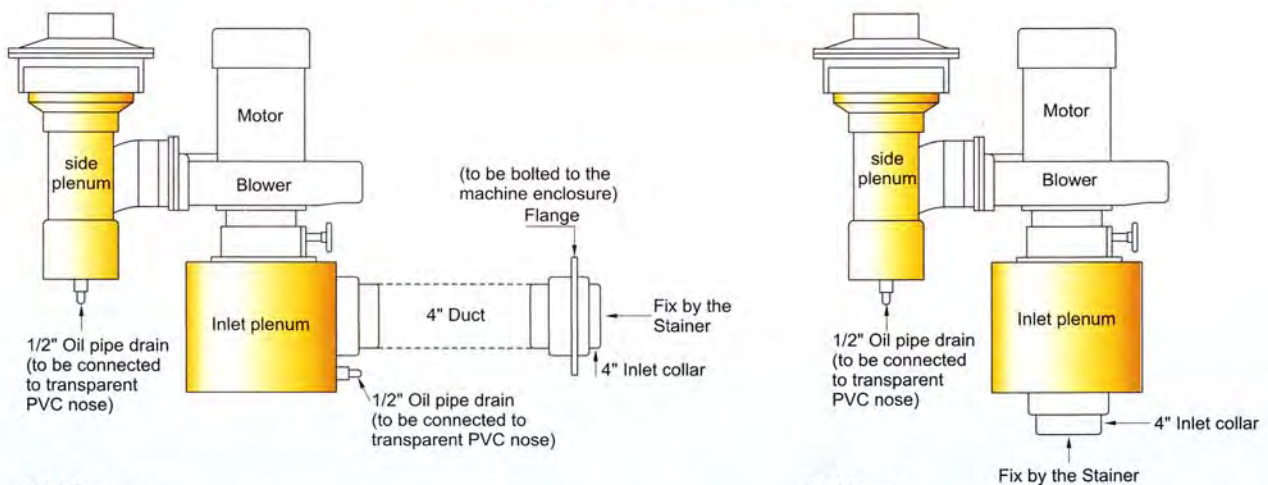
2. Centrifugal

In the intermediate blower, a vortex is created by the fan rotation causing a formation of large oil drops which will easily be separate on the side plenum. Because of the gravitation, the large oil drops will again flow back to the machine tool through (another) 1/2 inch oil pipe drain located at the bottom of the side plenum

3. Final Filtration

The cleaned air is sucked by the blower and blown out through the "non-woven filter fabrics" towards the top of the unit.

STANDARD ACCESSORIES



BM Type :

- Stainless pleated filter cartridge
- Non-woven Filter Fabric (10 Pcs)
- Flanged External Connector (to be bolted to the machine enclosure)
- Strainer for the External Connector
- Transparent PVC hose (I.D.:1/2 inch)
- 90°C Elbow (2 Pcs)
- Flexible Duct
- Duct Clamp (4 Pcs)
- Hardware



BV Type :

- Stainless pleated filter cartridge
- Non-woven Filter Fabric (10 Pcs)
- Flanged Inlet Collar
- Strainer for the Inlet Collar
- Transparent PVC hose (I.D.:1/2 inch)
- Hardware



FILTRATION ELEMENT



Stainless pleated cartridge

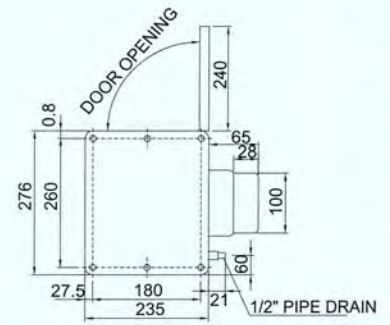
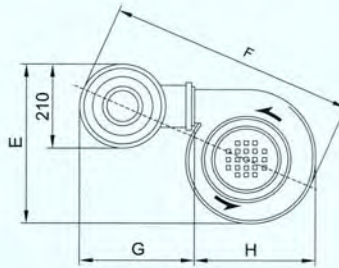
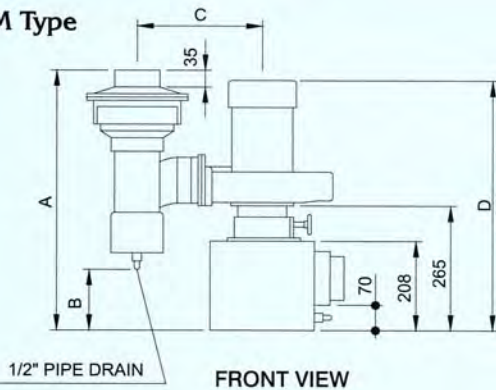


Non-woven filter fabrics

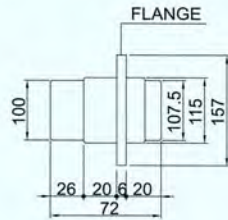


DIMENSIONS

BM Type



FLANGE

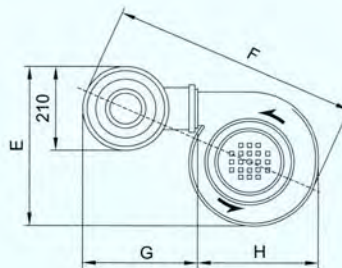
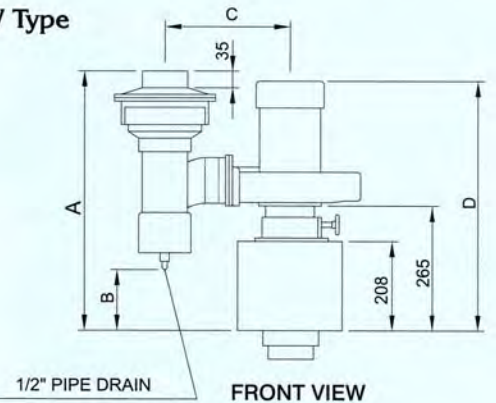


External Connector

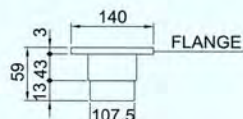
UNIT : mm

TYPE	A	B	C	D	E	F	G	H
BM-0532	580	140	290	550	380	570	235	315
BM-132	605	155	620	610	435	640	240	380
BM-232	615	165	660	635	520	720	240	460

BV Type



FLANGE



Inlet Collar

UNIT : mm

TYPE	A	B	C	D	E	F	G	H
BV-0532	580	140	290	550	380	570	235	315
BV-132	605	155	620	610	435	640	240	380
BV-232	615	165	660	635	520	720	240	460

TYPICAL DUCTED INSTALLATIONS



BM

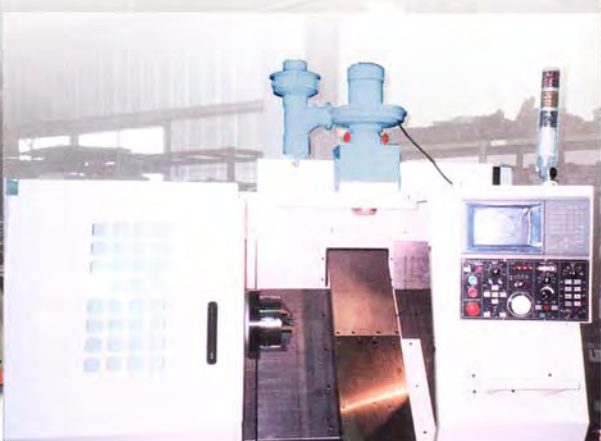
of SHOWFOU OIL MIST COLLECTOR

BM



BM

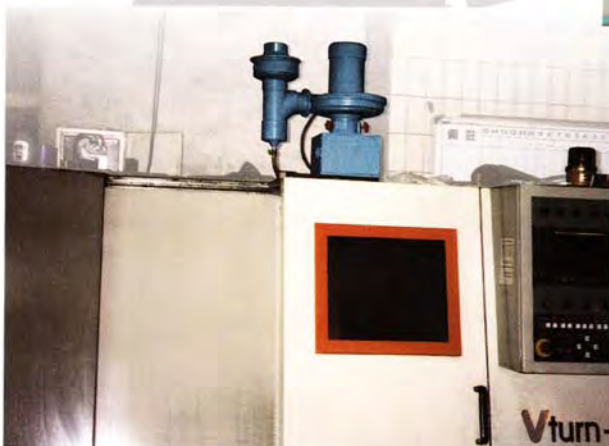
TYPICAL DIRECT MOUNT INSTALLATIONS



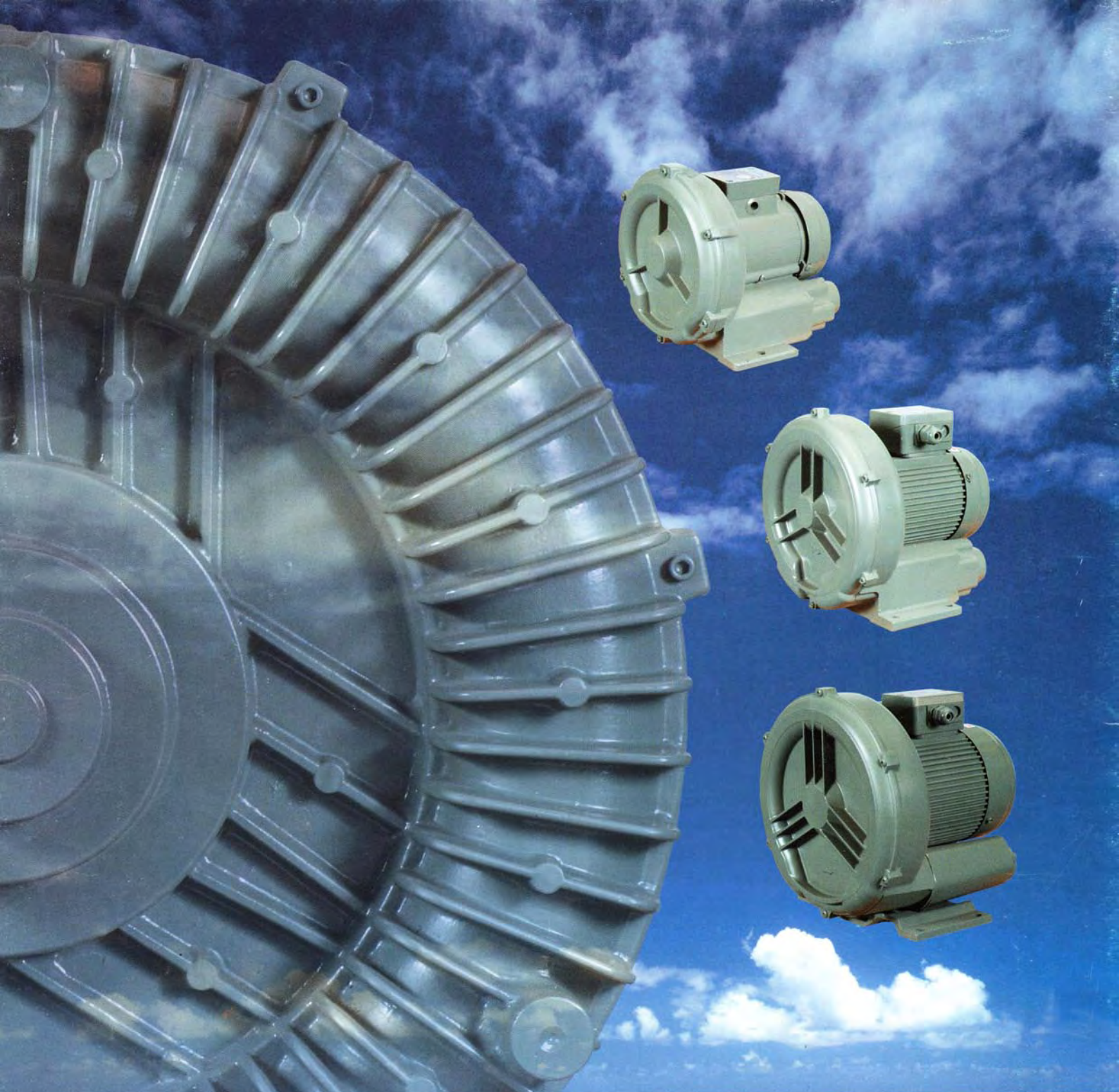
BV

of SHOWFOU OIL MIST COLLECTOR

BV



BV



SHOWFOU BLOWER

<http://www.showfoupump.com>

PT. LUKES INDONESIA

Lindeteves Trade Center Lt UG, Blok B1 No. 6

Jalan Hayam Wuruk, Jakarta - Indonesia

Phone : 021 - 6231 7842, 628 5144

Fax : 021 - 6231 0499

email : lukes@cbn.net.id

